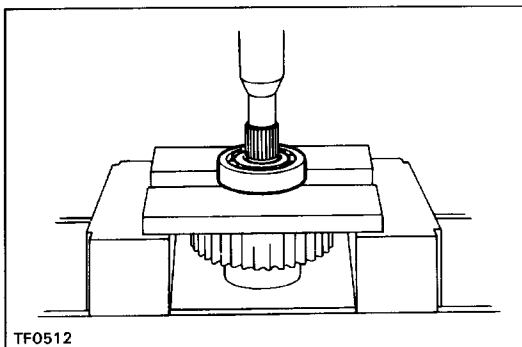
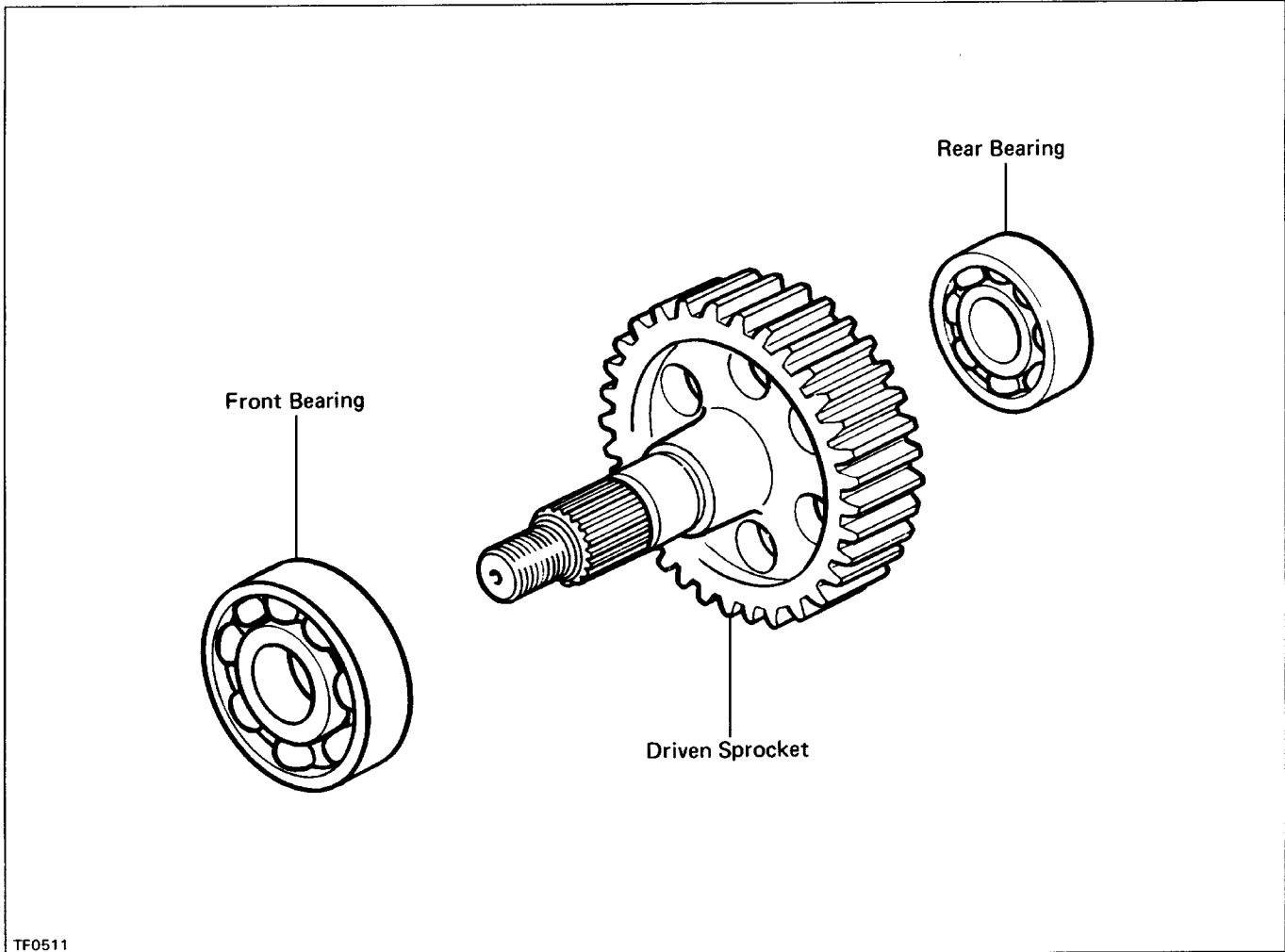


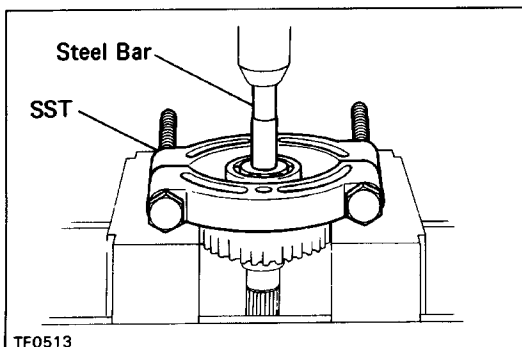
Driven Sprocket COMPONENTS



DISASSEMBLY OF DRIVEN SPROCKET

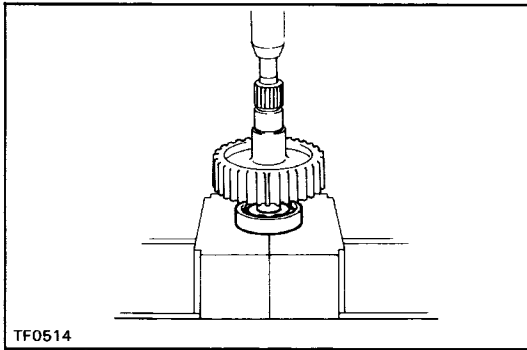
1. REMOVE FRONT BEARING

Using a press, remove the front bearing.



2. REMOVE REAR BEARING

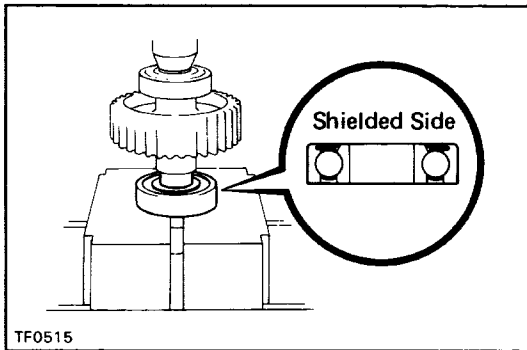
Using SST and a press, remove the rear bearing.
SST 09950-00020



ASSEMBLY OF DRIVEN SPROCKET

1. INSTALL REAR BEARING

Using a press, install the rear bearing.



2. INSTALL FRONT BEARING

Using a press, install the front bearing.

HINT: Make sure to install the bearing in the correct direction.