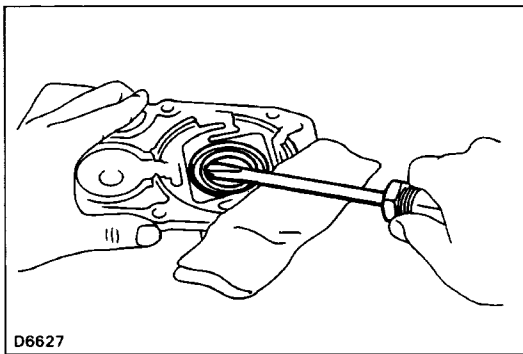
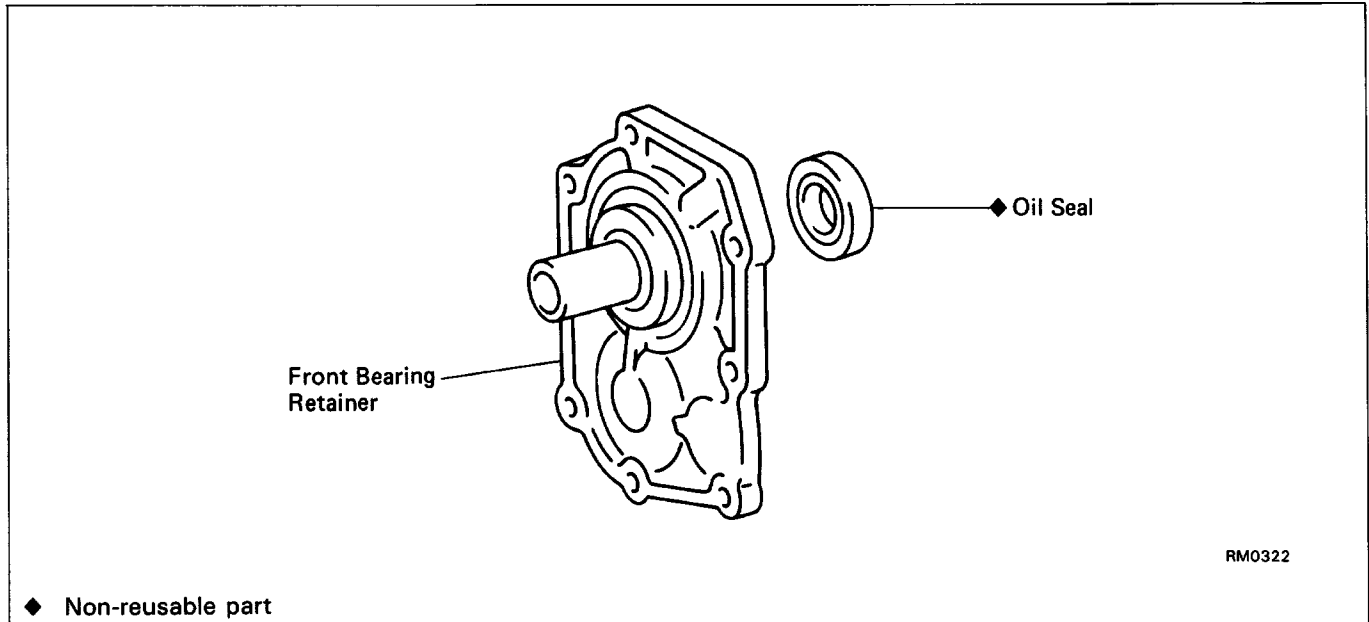
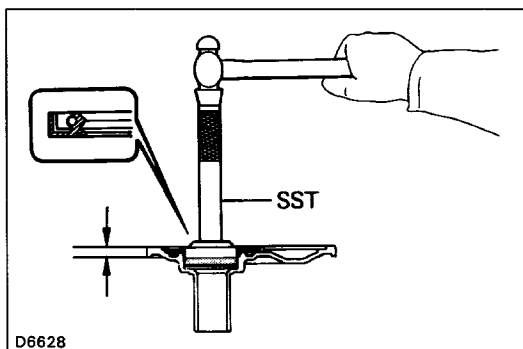


## Front Bearing Retainer COMPONENTS



### REPLACEMENT OF OIL SEAL IF NECESSARY, REPLACE FRONT BEARING RETAINER OIL SEAL

(a) Using a screwdriver, pry out the oil seal.



(b) Using SST and a hammer, drive in a new oil seal.  
SST 09608-35014 (09608-06020, 09608-06090)

**Drive in depth: 11.2 – 12.2 mm (0.441 – 0.480 in.)**  
**Transmission case installation surface**